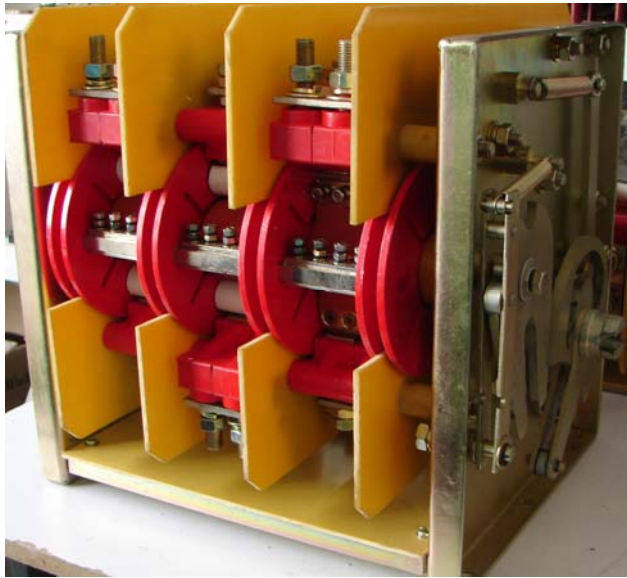
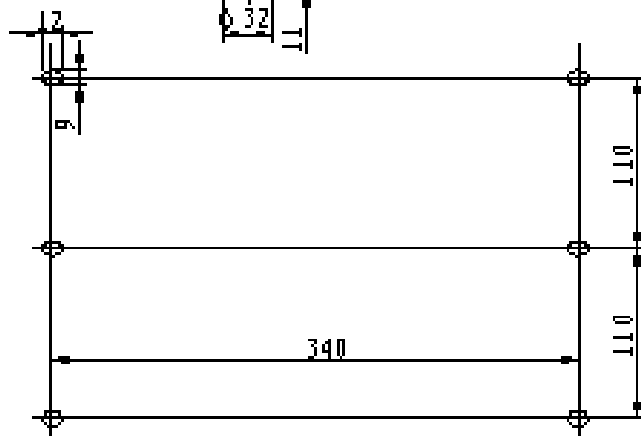
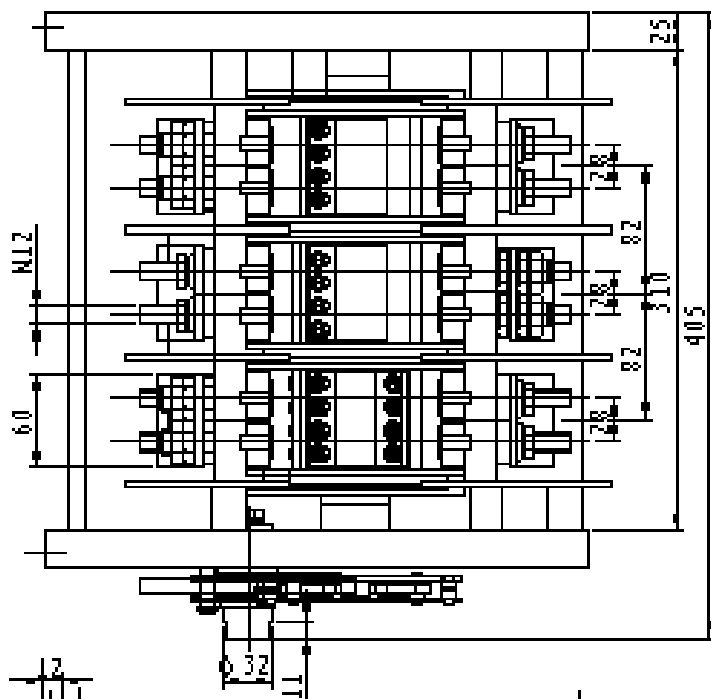
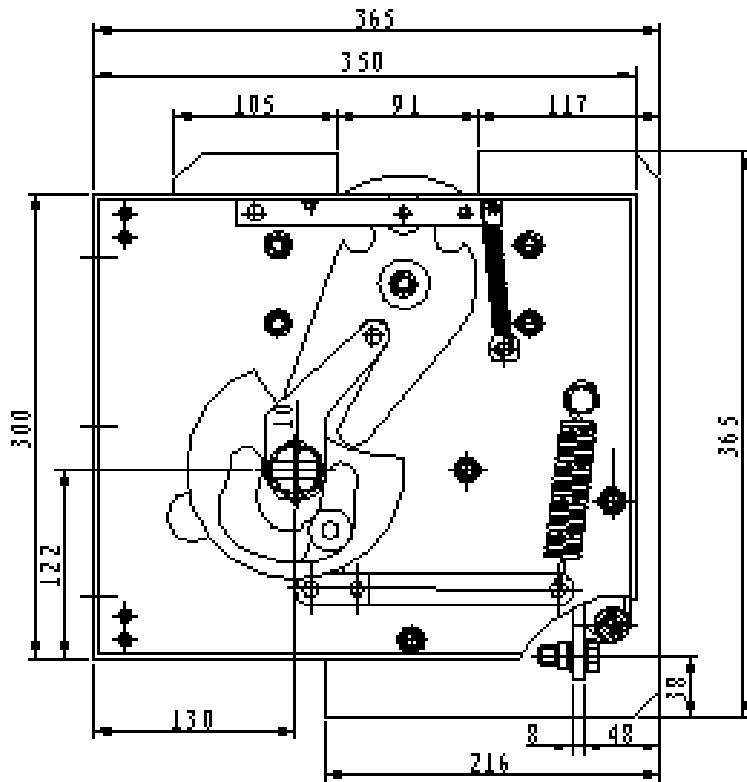


GHK-800/3.6 Switch



Technical parameters		
Rated voltage	kV	3.6
Rated current	A	800
Rated short circuit breaking current	kA	6.3
Rated short time withstanding current (2s)	kA	8
Rated peak withstanding current	kA	20
Rated short time withstand voltage	kV	4.2
Rated BIL withstand voltage	kV	4.2
Rated short time withstand voltage(contact stroke)	kV	10
Rated BIL withstand voltage(contact stroke)	kV	
Mechanical life	Times	6000
Weight	kg	37
Auxiliary contact	2 pairs NO, 2 pairs NC	
Auxiliary contact capacity	AC-15: Ue:AC380V Ie:0.7A DC-13: Ue:DC220V Ie:0.1A	





昆山国力真空电器有限公司  
Kunshan GuoLi Vacuum Electric Co., Ltd.

Telephone: +86(512) 57777-020 +86(512) 57735-621  
Technical support: +86(512) 57772-785  
Fax: +86(512) 57777-020  
Website: [www.glvac.cn](http://www.glvac.cn) Email: [sales@glvac.cn](mailto:sales@glvac.cn)