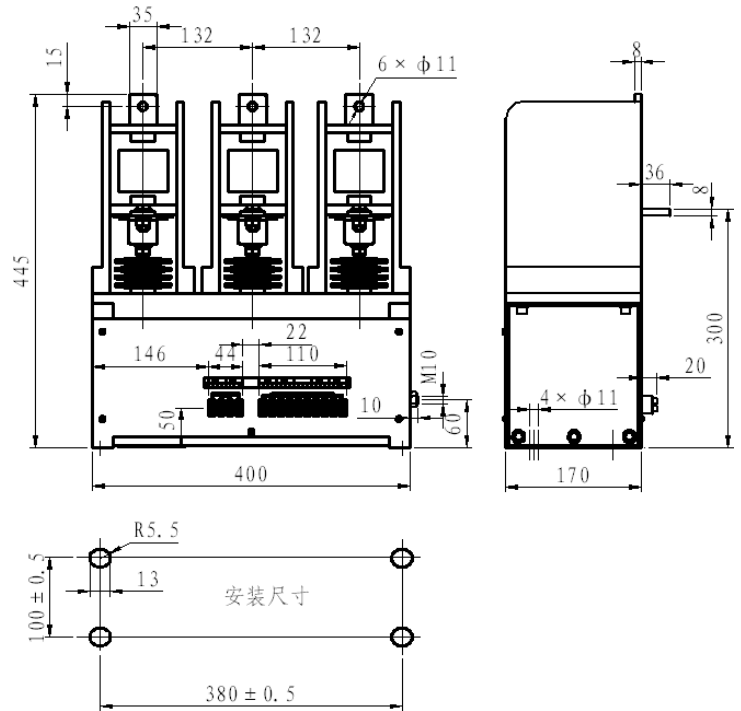


## Outline Drawing



## CKG4-250A/7.2kV AC Vacuum Contactor (Electrical Latching)

Technical Parameters		
Rated Voltage	kV	7.2
Rated Current	A	250
Rated Making Capacity	A/100 Times	2500
Rated Breaking Capacity	A/25 Times	2000
Limited Breaking Capacity	A/3 Times	2500
Rated short time withstand current (2S)	kA	2500
Rated peak withstand current	A	6250
Mechanical Life	Times	$5 \times 10^5$
Electrical Life	Times	$1 \times 10^5$
Weight	kg	25
Control Power Voltage	V (AC/DC)	110、220
Pick-up Power	W (transient)	1000
Hold Power	W	130
Auxiliary Contact	3 pairs NO, 2 pairs NC	