



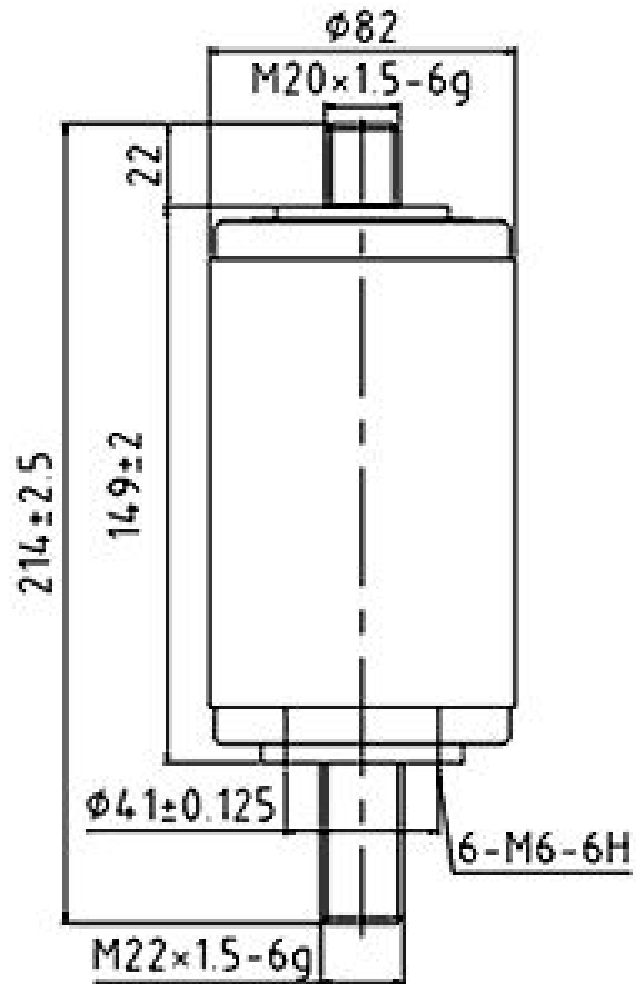
TD-7.2/400-10A Breaker used vacuum interrupter

Brief introduction:

The Interrupter adopts “one shut technology”, ceramic shell, CuCr as the contact material; is characterized by high insulation, low stop-flow, strong blowout ability, long life, small size etc, and has advantages as easy to maintain, no explosion risk, pollution-free and low noise etc. Breakers assembled by it are used to control and protect the electricity transmission and distribution system in electrical, mechanical, chemical, metallurgy, mining and railway department

Main technical specifications:

Model	TD-7.2/400-10A
Rated Voltage (kV)	7.2
Rated Current (A)	400
Rated Make Current (kA/Times)	10/30
Rated Break Current (kA/Times)	25
Maximum Break Current (kA/Times)	10/4
Rated Short Time Withstand Current/Last Time (kA/s)	25
Break Times Under Rated Current (AC-4)	-
Short Time (1Min)Power Frequency Withstand Voltage (kV)	32
Thunder and Lighting Shock (kV)	60
Circuit Resistance under Rated Contact Pressure($\mu\Omega$)	≤ 40
Mechanical Life (Times)	1×10^4
Contact Force at Rated Contact Gap (N)	110 ± 15
Max Contact Gap (mm)	10
Reaction Force at Rated Contact Distance (N)	150 ± 20
Contact Erosion Limit (mm)	2
Weight (kg)	2
Store Duration (Year)	20
Mechanical Parameter	
Rated Contact Gap (mm)	8 ± 1
Contact Overtravel (mm)	3 ± 1
Average Break Speed (m/s)	1.0 ± 0.2
Average Make Speed (m/s)	0.8 ± 0.2



Rated Contact Operating Pressure (N)	650±50
Contact Make Bounce Time (ms)	=2
Three-phase Synchronism (ms)	=1