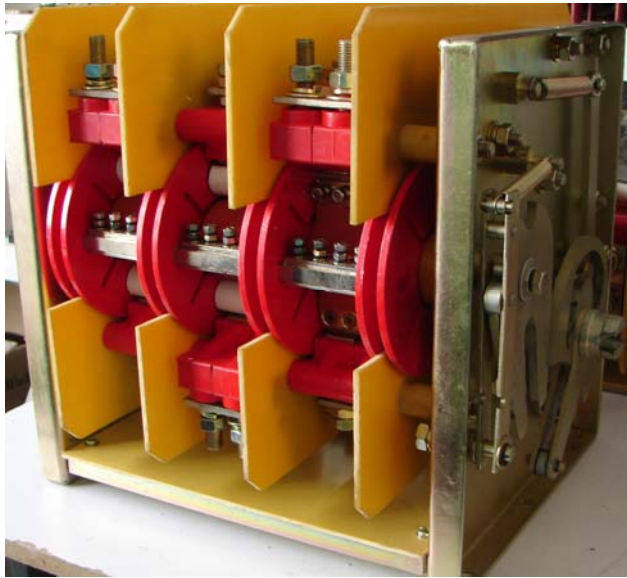
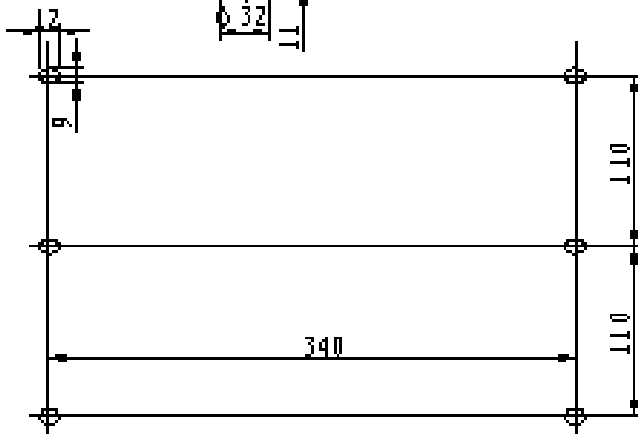
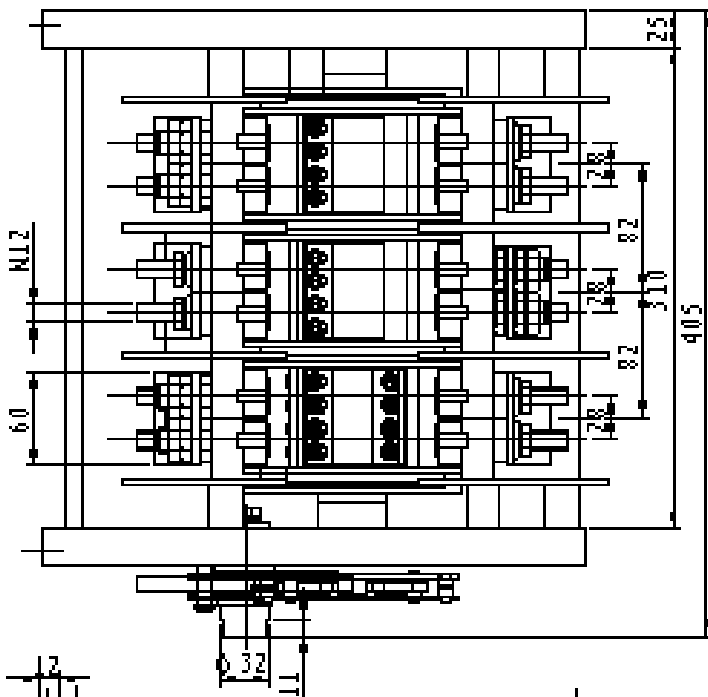
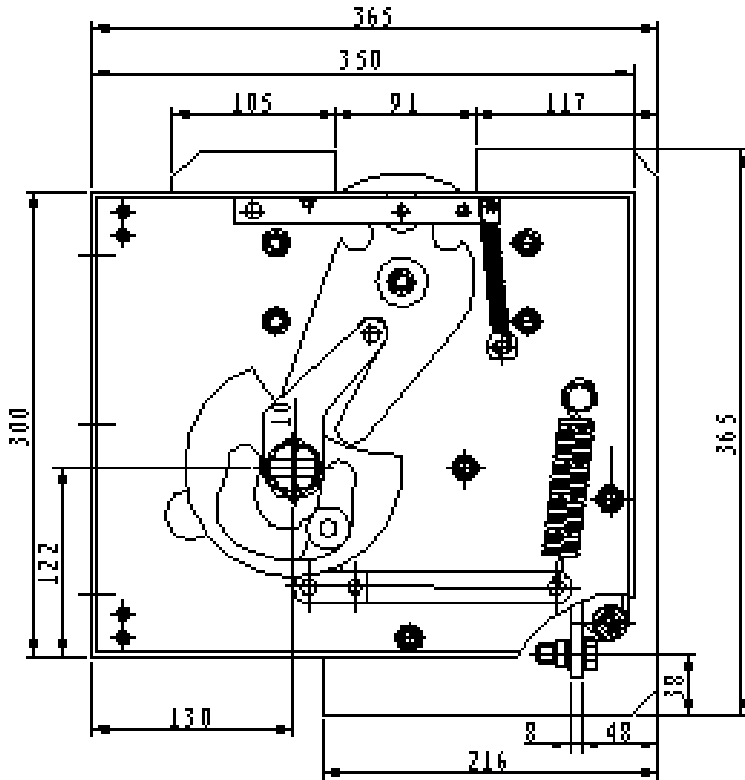


GHK-800/3.6 Switch



| Technical parameters | | |
|--|--|------|
| Rated voltage | kV | 3.6 |
| Rated current | A | 800 |
| Rated short circuit breaking current | kA | 6.3 |
| Rated short time withstanding current (2s) | kA | 8 |
| Rated peak withstanding current | kA | 20 |
| Rated short time withstand voltage | kV | 18 |
| Rated BIL withstand voltage | kV | 40 |
| Rated short time withstand voltage(contact stroke) | kV | 20 |
| Rated BIL withstand voltage(contact stroke) | kV | 46 |
| Mechanical life | Times | 6000 |
| Weight | kg | 37 |
| Auxiliary contact | 2 pairs NO, 2 pairs NC | |
| Auxiliary contact capacity | AC-15: Ue:AC380V Ie:0.7A DC-13: Ue:DC220V Ie:0.1A | |





昆山国力真空电器有限公司
Kunshan GuoLi Vacuum Electric Co., Ltd.

Telephone: +86(512) 57777-020 +86(512) 57735-621
Technical support: +86(512) 57772-785
Fax: +86(512) 57777-020
Website: www.glvac.cn Email: sales@glvac.cn