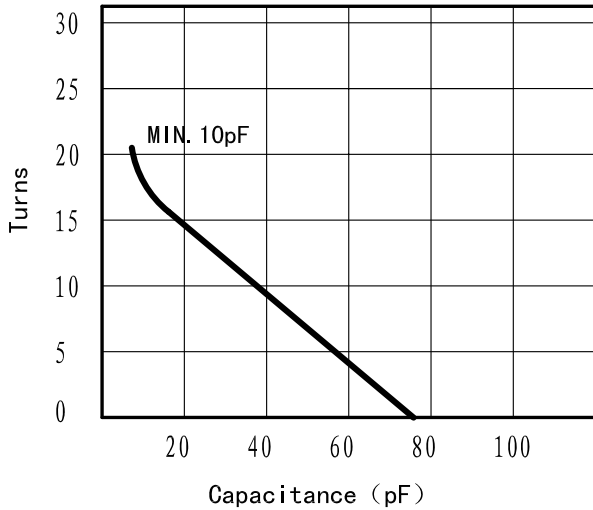
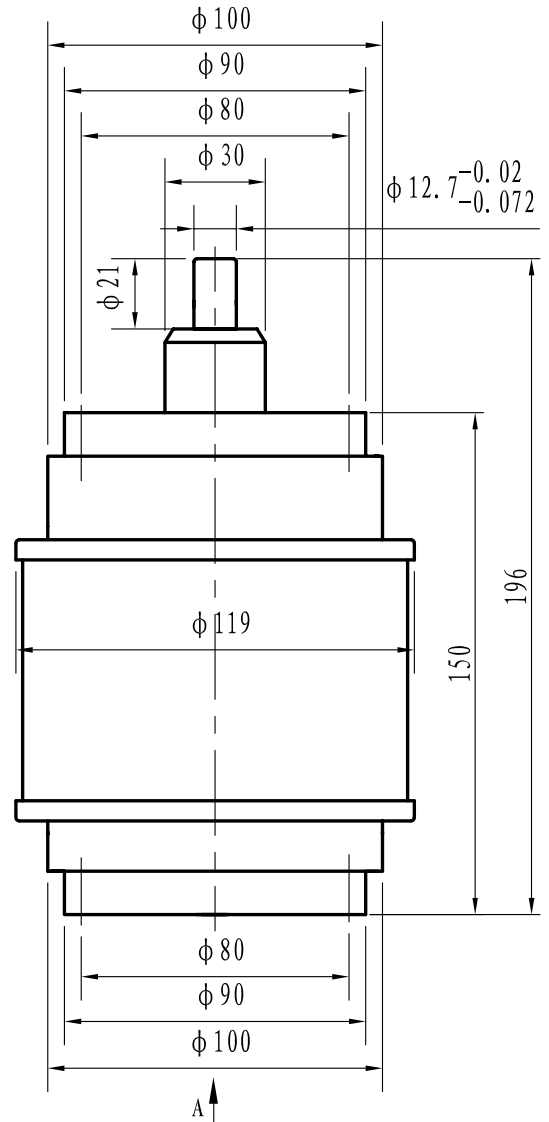


# CKTB75/32/79



Specification	
Capacity $C_{max}$ (nominal)	75pF
Capacity $C_{min}$ (nominal)	10pF
Voltage (Peak Test $U_{pt}$ /Peak Working $U_{pw}$ )	45kV/32kV
Capacity tolerance (liner Range)	10%
Max. Current $I_{max}$ at 13.56MHz with	79Arms
Conduction Cooling	
Capacitance per turn	3.6pF/turn
Torque	$\leq 0.3Nm$
Net Weight	2.8kg



$I_{max}$  at ambient and 125 °C surface temp. for convection cooling

