

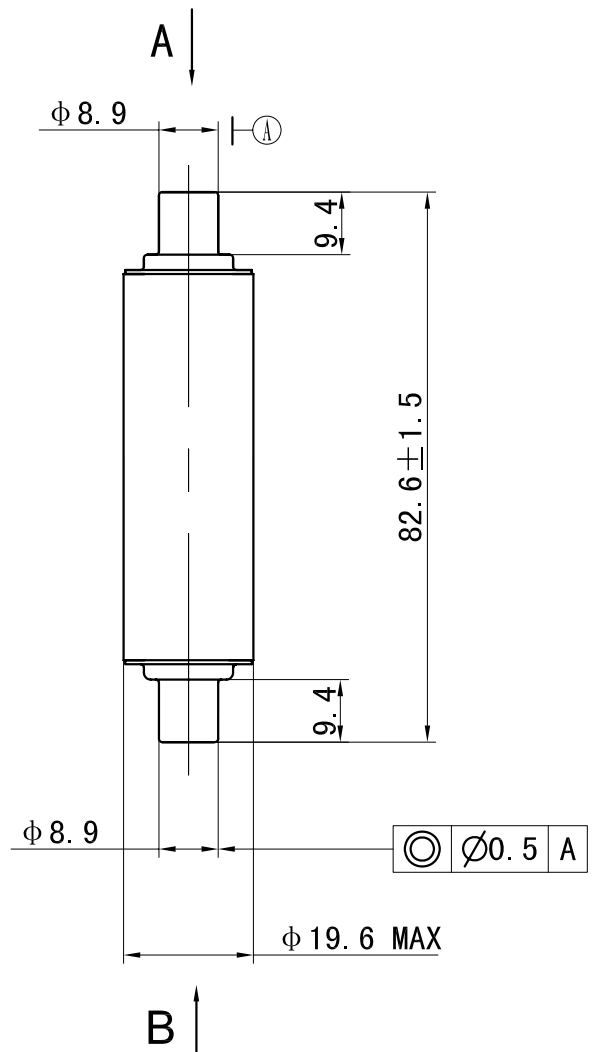
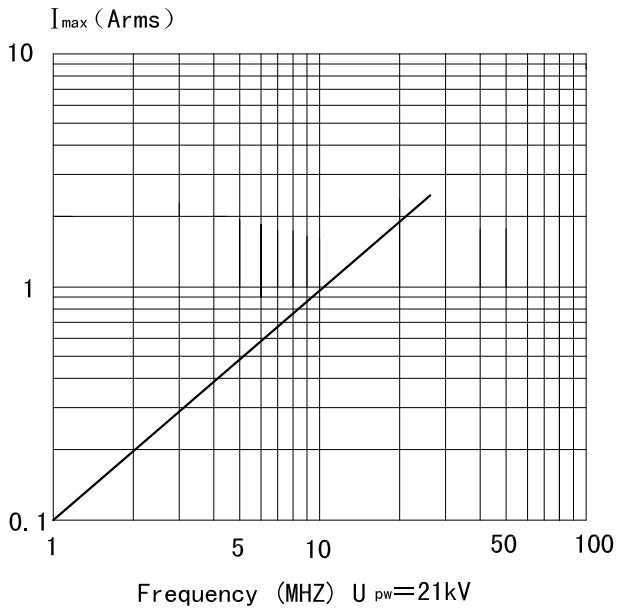
Data-Sheet-Fixed Capacitor

CKT1/21/8



www.glvac.cn

Specification	
Capacity C_{max} (nominal)	1pF
Voltage (Peak Test U_{pt} /Peak Working U_{pw})	30kV/21kV
Capacity tolerance	$\pm 0.5pF$
Max. Current I_{max} at 26MHz with	2.5Arms
Conduction Cooling	
Net Weight	0.06kg



VIEW A

VIEW B

