



GL150 Specification

Anode Parameter

Peak forward anode voltage:	25kV
Peak inverse anode voltage:	25 kV
Peak anode current:	1000A
Average anode current:	1A
Rate of rise of anode current:	5000A/ μ s
Plate breakdown factor:	12.5×10^9 VApps
Maximum pulse power:	12.5MW

Grid drive

Unloaded grid drive pulse voltage:	450V~1500V
Grid 2 pulse duration:	0.6 μ s (min)
Rise duration of grid pulse:	0.35 μ s (max)
Peak inverse grid voltage:	650V(max)
Forward impedance of grid 2 circuit:	25 Ω ~250 Ω

Heater

Cathode heater voltage:	6.3V \pm 5%V ac
Cathode heater current:	17 \pm 1A
Reservoir heater voltage:	4.6V \pm 5%V ac
Reservoir heater current:	3.3A \pm 0.5A
Minimum heater time:	5min

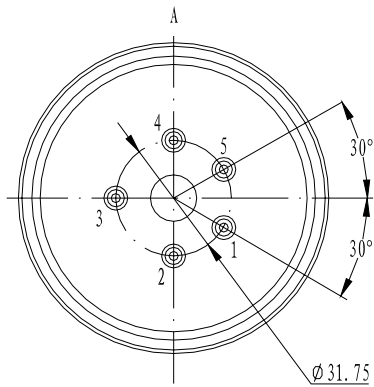
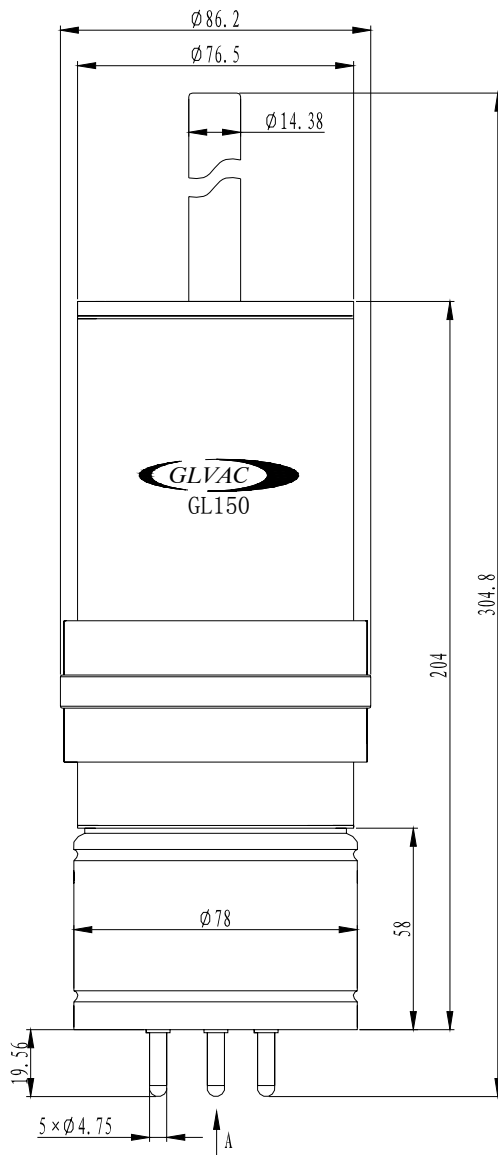
Mechanical

Mounting position:	Any
Dimension:	See outline
Cooling way:	Forced-air

Cross reference

Triton:	F-150
---------	-------





Pin	Element
1	Reservoir and cathode heater
2	Cathode
3	Grid
4	Reservoir heater
5	Cathode heater
Top cap	Anode